

THE INFORMATION CONTAINED IN THIS DRAWING IS THE SOLE PROPERTY OF SYNERGY MFG. ANY REPRODUCTION IN PART OR WHOLE WITHOUT THE WRITTEN PERMISSION OF SYNERGY MFG IS PROHIBITED.

Revisions			
Rev.	Description	Date	Approved
A	Initial Release Per ECO 21-035	4/16/2021	KB
B	Updated per ECO 24-083	10/29/2024	HSW



REAR BUMPSTOP EXTENSIONS

Installation Instructions

Applications:
 2007-18 JEEP JK
 2018+ JL
 2018+ JT



TITLE:
**REAR BUMPSTOP EXTENSIONS
 INSTALLATION INSTRUCTIONS**

SIZE A	DWG NO: 8858-XX-INST	REV B
	SCALE: N/A	PAGE 1 OF 7



REAR BUMPSTOP EXTENSIONS INSTALLATION INSTRUCTIONS

Thank you for purchasing the best aftermarket products available for your vehicle. We strongly feel that the parts you are about to install should meet or exceed your expectations for performance. Proper assembly is critical to the performance of these components and the vehicle as a whole. Please take the time to carefully read these instructions and familiarize yourself with the installation procedure before working on your vehicle. If you have any questions PLEASE contact Synergy Manufacturing BEFORE beginning installation. Thanks again for supporting Synergy – enjoy the performance benefits of the best aftermarket products available for your vehicle!

Synergy Manufacturing

Phone: (805) 242-0397

Email: support@synergymfg.com

Modifying or otherwise altering vehicle components may cause the vehicle to handle differently than originally designed. It is the driver’s responsibility to familiarize themselves with the performance and handling characteristics of the modified vehicle. Vehicles with larger diameter than stock tires must be driven carefully and cannot be expected to perform as stock or meet OEM performance with regard to handling, braking or crash performance. Ensure all replacement components are compatible with vehicle capacities so as not to overload components, especially tires. It is up to the individual to ensure that the vehicle and all components are compatible with the intended vehicle use, including load ratings, road conditions, and driver abilities. Thorough and frequent vehicle inspections are recommended to ensure a safe and reliable state of readiness, especially after off-highway use.

PARTS LIST

8858-XX Part Title		
QTY	Part Number	Description
2	885801-XX	BUMPSTOP EXTENSION
4	N/A	3/8-16UNC X 1” HEX HEAD GRADE 8 BOLT
4	N/A	3/8-16UNC TOP LOCK NUT
8	NA	3/8 FLAT WASHERS, GRADE 8

GENERAL NOTES

- These instructions are also available on our website; www.synergymfg.com. Check the website before you begin for any updated instructions and additional photos for your reference.
- These instructions cover the install of any of the 8858 2”, 3”, or 4” bumpstop extensions on either a JK, JL, or JT.
- Installation on a JT will require drilling two holes per side in each axle bump pad.

TOOLS REQUIRED FOR JK OR JL

- 9/16" Sockets and Wrenches

TOOLS REQUIRED FOR JT

- 9/16" Sockets and Wrenches
- Center Punch
- Drill with 3/8 drill bit
- Silver Sharpie or Paint Pen
- Jack and Jack Stands

ESTIMATED INSTALLATION TIME

1/2 Hour

JK-JL INSTALLATION

1. Installation can be done on the ground or in the air on a lift. If working on the ground, ensure vehicle is on a flat, level surface, is in gear or park, and set the parking brake. It is not necessary, but removing the wheels and tires will allow more access. Be sure to use suitable jackstands to hold the axle up.
2. Simply line up the holes in the bumpstop extension with the holes already in the rear axle bump pad. The bumpstop extension is angled and the overhanging portion should be towards the front of the Jeep. See **Figure 1**.



Figure 1. Lining up Bolt Holes and Inserting Bolts.

3. Insert two 3/8-16UNC x 1" long bolts with washers into the holes from the top down. Install a 3/8-16UNC top lock nut and washer onto each bolt. Tighten the bolts. Torque to 60lbs-ft. See **Figure 2**.



Figure 2. Tightening the Bumpstop Extension Bolts.

4. Repeat steps 2 and 3 for the other side.

JK and JL Installation is Complete

JT INSTALLATION

1. Installation can be done on the ground or in the air on a lift. If working on the ground, ensure vehicle is on a flat, level surface, is in gear or park, and set the parking brake. Use suitable jackstands to support the rear axle and remove the rear wheels for better access.
2. Two holes need to be drilled in each axle bump pad to mount the bump extensions. The two holes to drill are centered on each bump pad. Visit www.synergymfg.com/instructions.html to locate the 8858-JTTEMP template file. Print and cut out the template in order to drill holes as shown in **Figure 4 and 5**. Position the template by aligning the two holes on opposite corners of the template with the two holes in the bump pad, or measure and mark out the locations on the axle bump pad with a ruler and pen, see **Figure 3**. The use of a right angle drill or shorter step drill bit may help with clearance to drill the holes. Drooping the suspension out will also help with drill clearance.

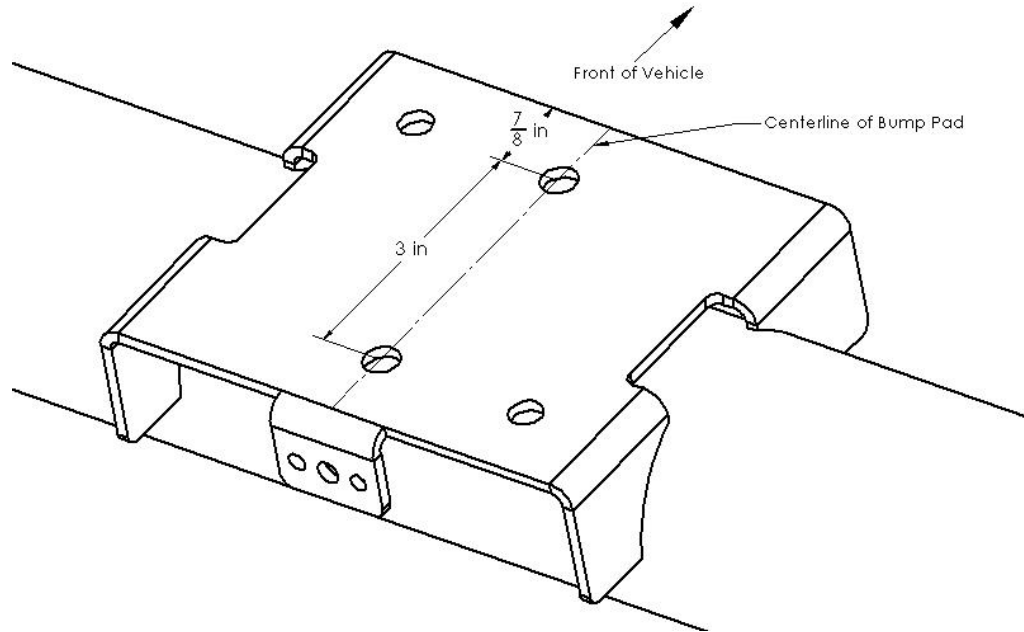


Figure 3. Dimensions for Holes to be Drilled in the Bumpstop Pads

3. Center punch the hole locations and drill a 1/8" pilot hole at each mark, then drill out to 3/8". See **Figures 4 & 5.**

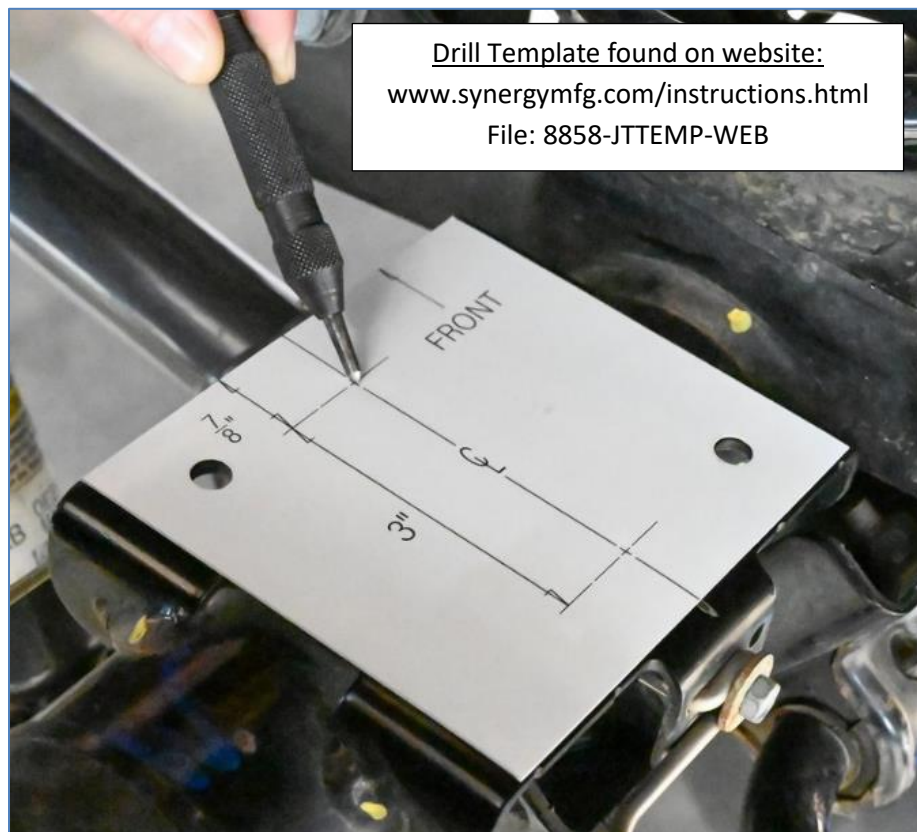


Figure 4. Marking Hole Locations on Bumpstop Pad



Figure 5. Drilling the Mounting Holes in the Bumpstop Pad.

4. Line up the holes in the bump stop extension with the holes you just drilled in the axle bump pad. The bump stop extensions are angled and the overhang portion of the extension should be towards the front of the Jeep. See **Figure 6**.



Figure 6. Installing the Bumpstop Extension

5. Insert two 3/8-16UNC x 1" long bolts with washers into the holes from the top down. Install a 3/8-16UNC top lock nut and washer onto each bolt. Tighten the bolts. Torque to 60lbs-ft. See **Figure 7**.



Figure 7. Tightening the Two 3/8-16 Bolts and Nuts.

6. Repeat steps 2-5 for the other side.

JT Installation is Complete